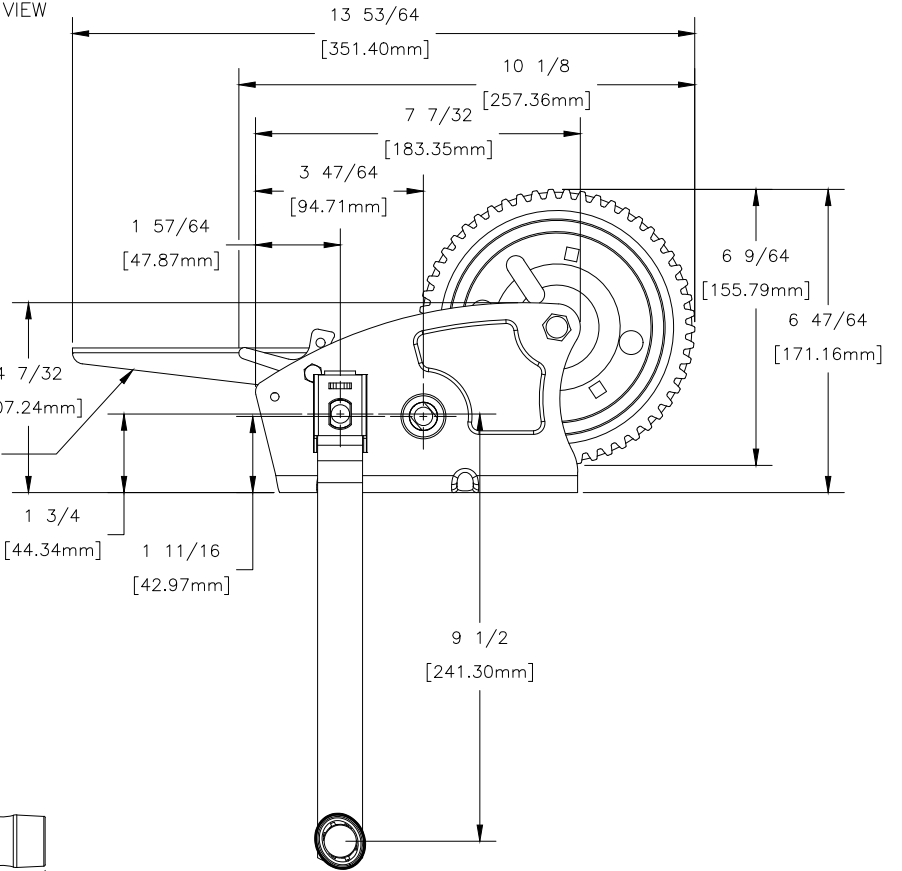
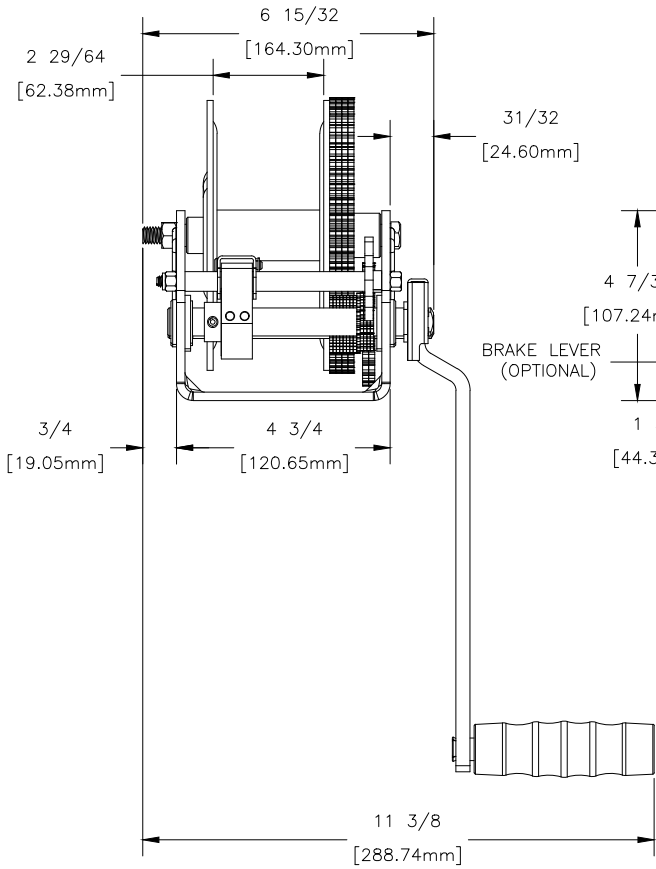


MODEL  
DLC2000  
2000lb/907kg CAPACITY  
PULLING WINCH

FRONT & SIDE VIEW



BASE HOLE PATTERN

