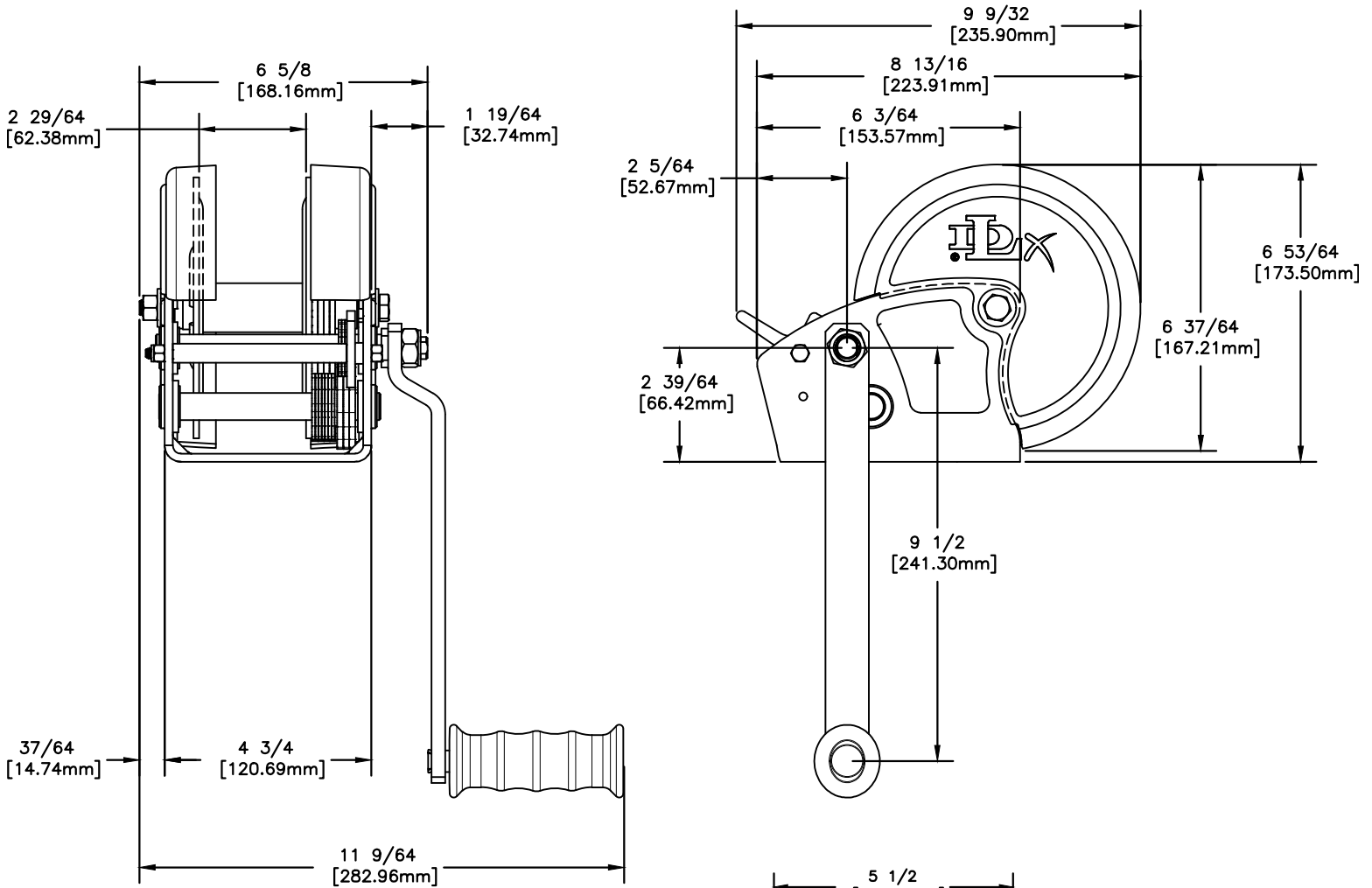


MODEL  
DLx2300  
2300lb/1043kg CAPACITY  
PULLING WINCH

FRONT & SIDE VIEW



BASE HOLE PATTERN

