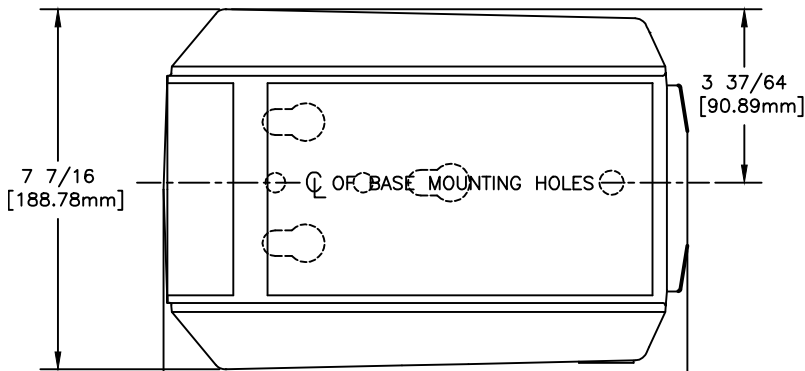
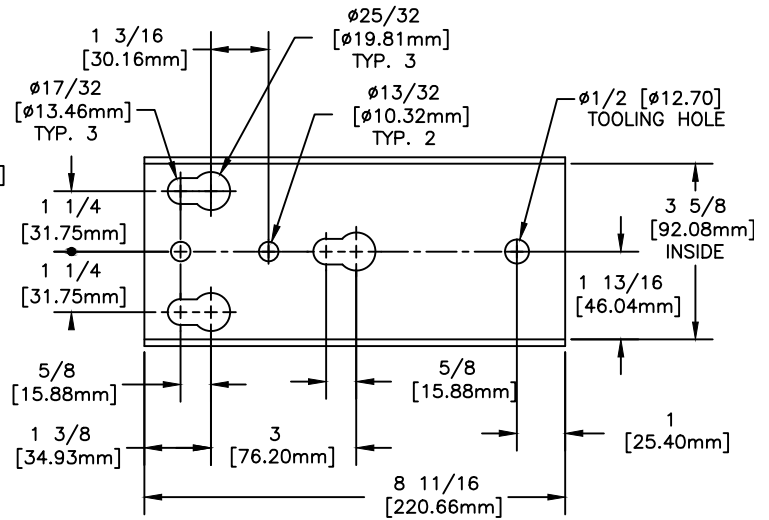


MODEL SA5000/7000 LC

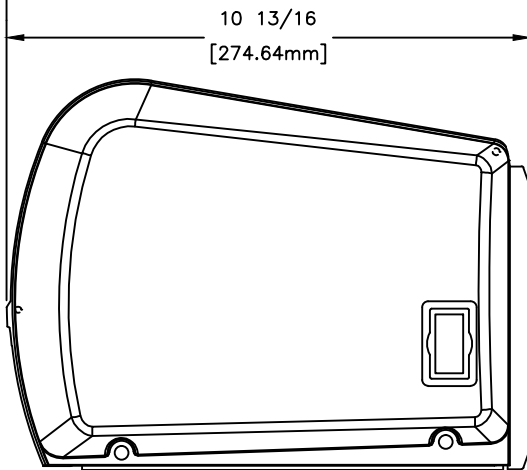
SA5000 DC-1500lb/681kg CAPACITY
 SA5000 AC-1200lb/545kg CAPACITY
 SA7000 DC-2200lb/999kg CAPACITY
 SA7000 AC-1800lb/817KG CAPACITY
 StrongArm ELECTRIC WINCH



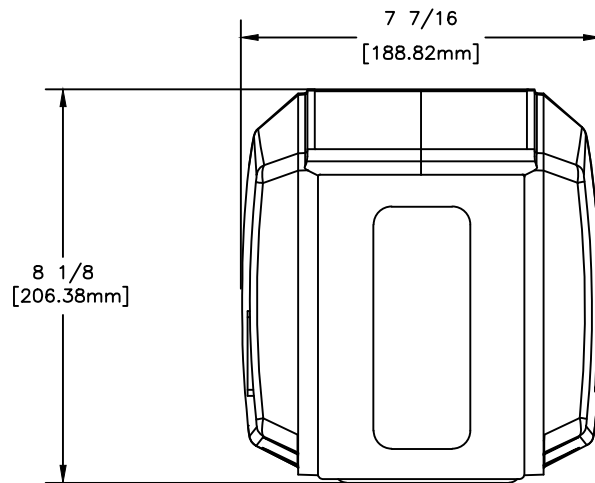
TOP VIEW



BASE HOLE PATTERN



SIDE VIEW



FRONT VIEW